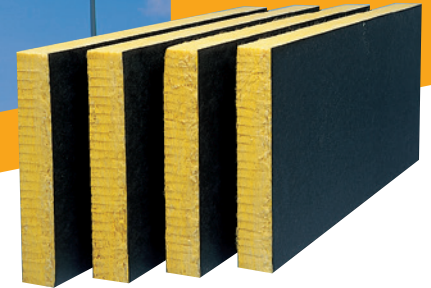




λ32



# ISOVER Mupan Façade

Thermal insulation for façade systems



## Product description

Extremely durable glass wool façade panel, with black glass veil at the front and yellow glass veil at the back.

## Application

ISOVER Mupan Façade is suitable for thermal insulation of façades. The height of the building imposes restrictions on the application of ISOVER Mupan Façade: 200 metres is the maximum height. ISOVER Mupan Façade is suitable for both closed and open joint systems. ISOVER Mupan Façade is not suitable for use behind transparent or semi-transparent glass, behind expanded metal screens or other 'semi-open' or perforated façade panels without a sturdy, vapour-permeable, waterproof finish.

## Product benefits

- invisible behind open joints
- non-combustible
- easy processing and installation
- customisation per project on request

## Technical data

Thermal properties:  $R_{declared}$

Thickness in mm	60	80	100	120	130
$R_{declared}$ in m <sup>2</sup> .K/W	1.85	2.50	3.10	3.75	4.05
Thickness in mm	140	160	180	200	220
$R_{declared}$ in m <sup>2</sup> .K/W	4.35	5.00	5.60	6.25	6.85

Please note: in practice, thermal bridges must usually be taken into account, depending on the fastening construction of the panels, and up to approx. 30 mm thicker insulation must be used.

For more calculations, see ISOVER's Termical calculation programme at [www.termical.nl](http://www.termical.nl).

## Fire safety

Non-combustible. Fire class A1 in accordance with EN 13501-1.

## Moisture behaviour

- water-repellent
- non-capillary
- non-hygroscopic
- water vapour diffusion resistance value:  $\mu = 1.0$

## Other properties

- rot-proof
- retains its shape
- not a breeding ground for organisms

## Sustainable production according to G3 standard

ISOVER Mupan Façade is made according to the ISOVER G3 standard. This new generation of glass wool provides a triple guarantee:

### Guarantee of excellent performance

- The G3 range offers the best thermal performance.
- Its thermal, acoustic and fire-safe performances are certified by independent institutes.

### Guarantee of care for the environment

- Recycled glass is used as a raw material.
- During its lifespan, ISOVER mineral wool saves more than 100 times the energy needed to produce, transport, remove and dispose of it, further reducing harmful greenhouse gas emissions such as CO<sub>2</sub>.
- ISOVER operates efficient recycling facilities, allowing glass wool to be recycled infinitely into new insulation material.
- ISOVER is constantly working to reduce its emissions, sort and recycle waste and reduce its water and energy consumption.

### Health guarantee

- ISOVER mineral wool complies with European Directive 97/67/EC showing that mineral wool is safe in production and use (EUCEB certified).
- The improved binder minimises emissions of VOCs (volatile organic compounds), meeting the most stringent international requirements.
- The total ISOVER G3 glass wool range features the Eurofins Indoor Air Comfort Gold label, the best quality class for healthy indoor air.

## Certification

- KOMO product certificate K24668
- CE marking
- Quality system: certified in accordance with ISO 9001
- Environmental management system: certified according to ISO 14001

# ISOVER Mupan Façade

Thermal insulation for façade systems



## Dimensions

Thickness in mm	Length in mm*	Width in mm*	m <sup>2</sup> per pack	m <sup>2</sup> per pallet
60	1500	600	6.30	100.80
80	1500	600	4.50	72.00
100	1500	600	3.60	57.60
120	1500	600	2.70	57.60
130	1500	600	2.70	43.20
140	1500	600	2.70	43.20
160	1500	600	2.70	43.20
180	1500	600	2.70	32.40
200	1500	600	2.70	32.40
220	1500	600	2.70	21.60

\* Other dimensions on request.

## Delivery form

ISOVER Mupan Façade is delivered in packs on pallets. The pallets are wrapped in weather-resistant foil and can be stored outside on the construction site.

## Processing

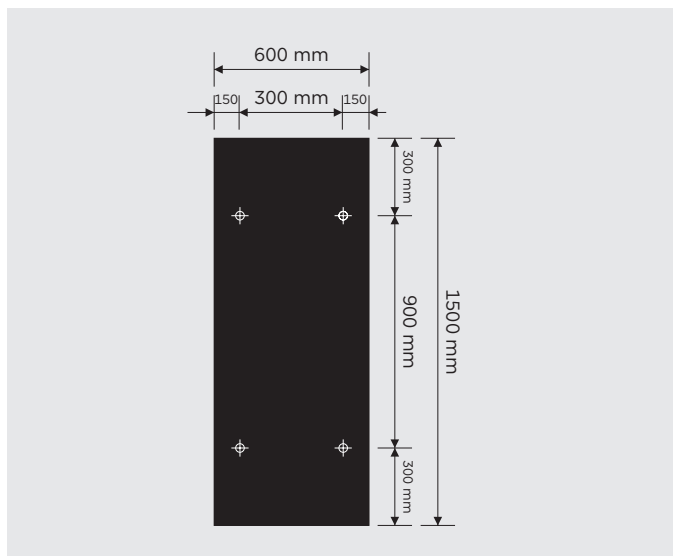
ISOVER Mupan Façade should be tightly fastened to the underlying structure in order to prevent air flows and rain penetration. When installing ISOVER Mupan Façade in a façade where the joints of the façade cladding remain open, the vertical seams between the panels and the open joints should preferably be offset by at least 100 mm.

The insulation requirements and the height of the building determine the choice for the façade insulation to be used. ISOVER Mupan Façade can be used up to a building height of 200 metres.

Please note: some curtain walls are executed as a 'double façade'. These façades are characterised by large distances between the insulation and the outside façade (from 10 cm) as well as large openings in the exterior façade surface and/or at the bottom and top of the façade. In effect, this is a façade in front of a façade, where the façade behind it is also exposed to the elements. In this case, it is advisable to cover the ISOVER façade products with a sturdy, vapour-permeable and water-repellent foil. This foil must be firmly anchored according to the foil supplier's instructions.

## Fastening

Example of fastening for dimensions of 1500 x 600 mm



ISOVER Mupan Façade must be mechanically fastened to the surface. The number of fastenings also depends on the height of the building and the type of construction.

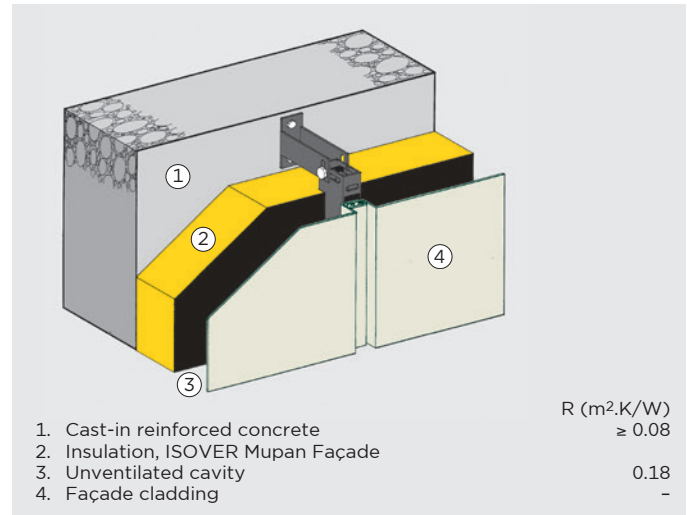
The anchors should be positioned at a maximum distance of 150 mm from the longitudinal side and 300 mm from the face of the panel. Apply the façade cladding as soon as possible after fastening the ISOVER Mupan Façade.

## Specifications

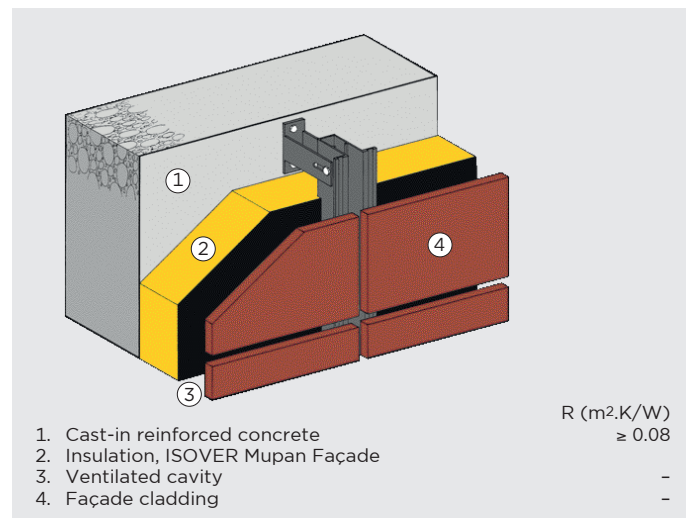
STABU specifications are available for various constructions. The ISOVER specifications service can be found at [www.isover.nl/bestekservice](http://www.isover.nl/bestekservice).

## ISOVER Mupan Façade application

### Closed curtain wall



### Curtain wall with open joints



Subject to product modifications. The most recent information can be found at [www.isover.nl](http://www.isover.nl)



ISOVER Netherlands

PO Box 96, 4130 EB Vianen

Tel.: +31 (0)347 358 400

Email general: [info@isover.nl](mailto:info@isover.nl)

Email sales: [verkoop@isover.nl](mailto:verkoop@isover.nl)

[www.isover.nl](http://www.isover.nl)